

CLEaneo 600 SURF 3PL



Square surface mounted cleanroom luminaire. Diffuser-clear tempered glass and parabolic louver optics. Top quality SMD LED modules with colour consistency MacAdams 3, extensive portfolio of lumen ranges, CCTs and spectra. Variety of drivers: standard EVG on/off, DALI, TW DT8 on request. Mounting on any type of ceiling. Body is made of aluminium and steel. Standard colour RAL 9003M antibacterial paint, other colours on request. Variety of lumen outputs and drivers allows to use this luminaire in different types of lighting projects.

Luminous flux & Luminaire Power tolerance up to 10%. System power consumption depends on components used. Luminous efficacy depends on type of LED's, electronics, optics and diffuser. The most up to date technical parameters can be found on our website and in database of LDT files.

Lighting direction



PDF datasheet:

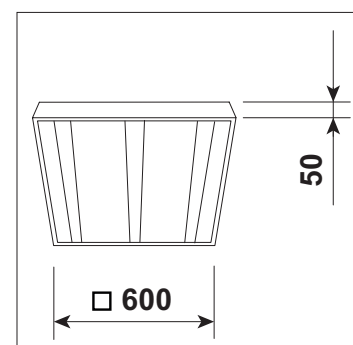


CLEaneo 600 SURF 3PL

Mounting:	Surface mounting
Body material:	Steel and aluminium
Colour:	Standard white RAL 9003, other RAL colours on request
Lumen output:	Standard up to 6600 lm, any other on request
LED module:	Signify (Philips), Tridonic or equivalent SMD LED modules
Colour temperature:	3000/4000K/2700-6500K TunableWhite, other on request
Colour Rendering:	CRI>80 in standard, other on request
Driver:	EVG on-off/DALI/TW DT8, other on request
Wireless control:	On request
Daylight/Occupancy sensor:	On request
Emergency unit:	On request
Operating temperature range:	0°C ... +35°C
IP Class:	IP65 in standard
Power:	220-240V 50/60Hz
Lighting direction:	Direct lighting
Light distribution:	Symmetric
Optics:	Parabolic louvers
Beam angle:	All types available in our LDT file database
Diffuser:	Clear glass
Warranty:	5 Years standard warranty

CLEaneo 600 SURF 3PL surface mounted luminaire

All current index numbers, lumen outputs, power consumption and many other technical information are available in our 2024 pricelist.



Basic dimensions